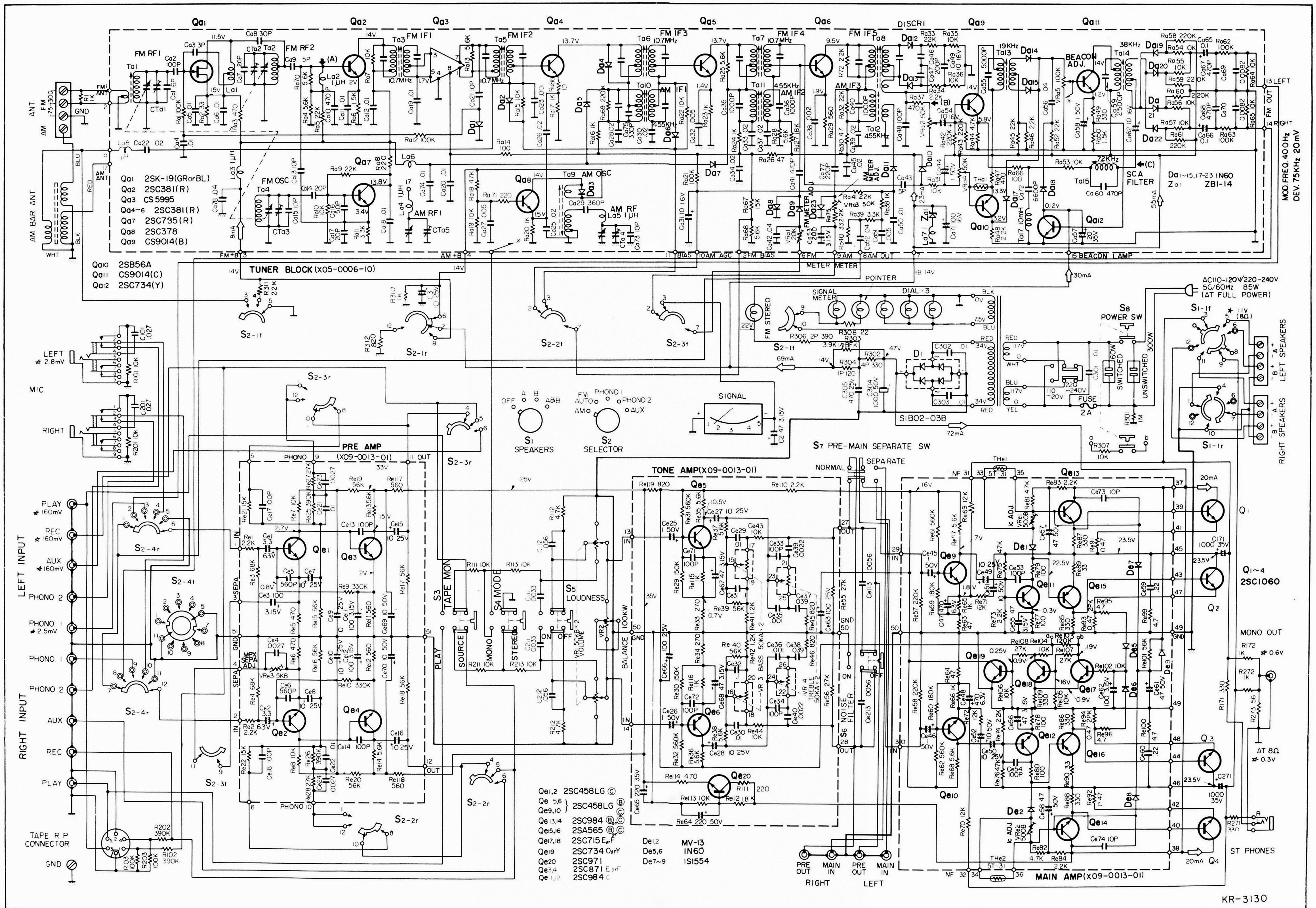


KR-3130 SCHEMATIC DIAGRAM



KR-3130

NOTE : A 2A fuse is placed in the power transformer 7.5V circuit for the sets sold in Europe except England. Also, Resistor R301 is equipped in the sets sold in the U.S.A. and Canada only.

We reserve the right to make modifications in this model in accordance with technical developments.